

# FANUC

## New standard for fast heavy duty picking



**ANGLED DESIGN**  
outer surface allows  
liquid to flow away



**SMOOTH SURFACE  
TREATMENT**  
available in painted  
and plated surfaces  
(both support IP69K)



**EASE OF MAINTENANCE**  
viewing windows on main  
axes for preventive control  
if intervention is required



**HOLLOW WRIST  $\varnothing=20\text{MM}$**   
to simplify routing of  
gripper supply lines

**DR-3iB/8L**

**Suitable for food  
applications**

### Next generation of FANUC delta line-up

- IP69K as standard protection rate suits perfectly to food
- payload capacity of 8 kg
  - horizontal reach:  $\varnothing$  1600 mm
  - vertical reach: 500 mm
- high wrist inertia of 0.2 kgm<sup>2</sup> supports handling of large parts or usage of multi pad grippers
- optionally painted or plated surface treatment to be used in any environment
- highly suitable for fast high duty pick and place, assembly, packaging or any material handling operations
- integrated services e.g. I/O, 24VDC, air lines
- support regular cleaning

[WWW.FANUC.EU](http://WWW.FANUC.EU)

# DR-3iB/8L

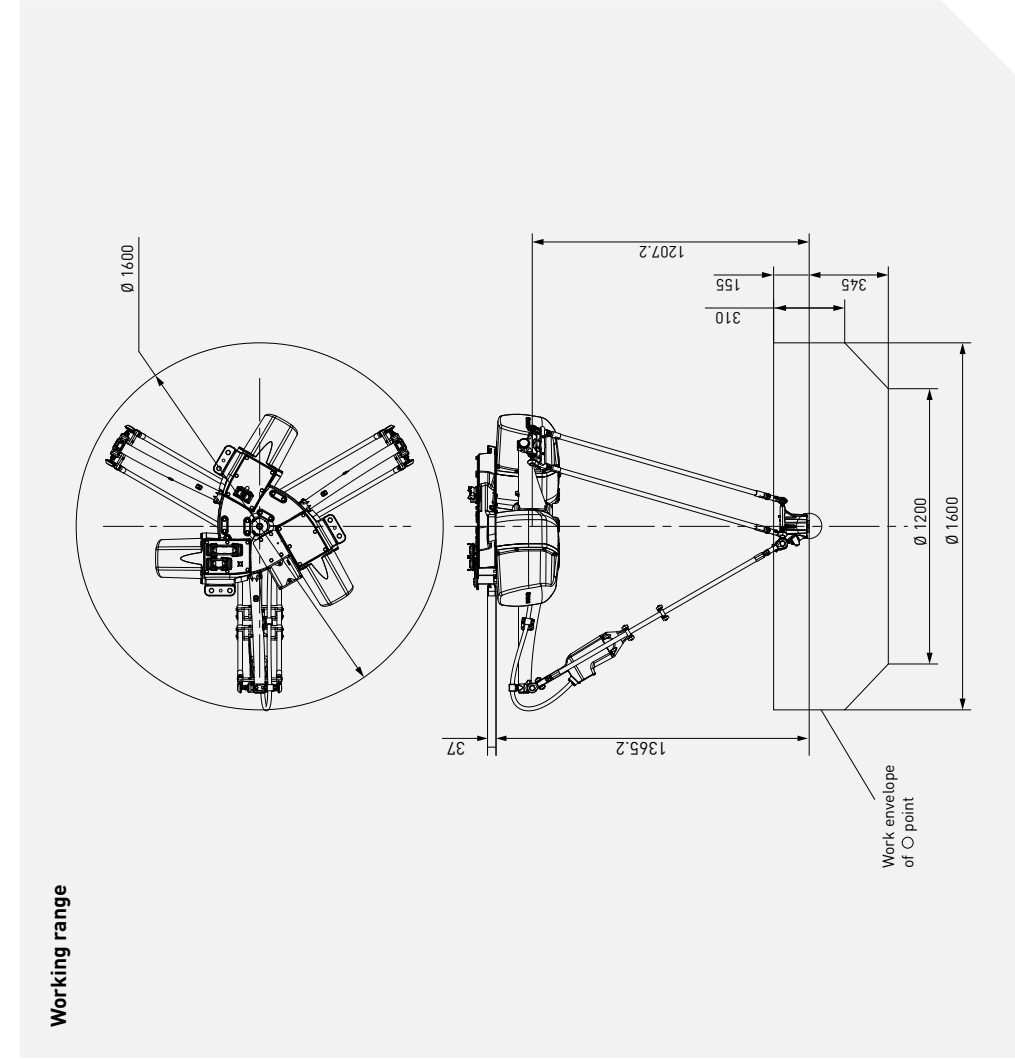


Max. load capacity  
at wrist: **8 kg**



Max. reach:  
**1600 mm**

Controlled axes	Repeatability (mm)	Mechanical weight (kg)	Motion range (°)						Maximum speed (°/s)						J4 Moment/Inertia (Nm/kgm <sup>2</sup> )	J5 Moment/Inertia (Nm/kgm <sup>2</sup> )	J6 Moment/Inertia (Nm/kgm <sup>2</sup> )	
			J1	J2	J3	J4	J5	J6	E1	J1	J2	J3	J4	J5				J6
4	± 0.03**	170	∅ 1600 x 500*3			720	-	-	-	-	2000	-	-	-	-	0.2*4	-	-



## Robot

- Robot footprint [mm] ..... **DR-3iB/8L**  
∅ 860
- Mounting position Floor
- Mounting position Upside down
- Mounting position Angle

## Controller

- Open air cabinet
- Mate cabinet
- A-cabinet
- B-cabinet
- iPendant Touch

## Electrical connections

- Voltage 50/60Hz 3phase [V] ..... 200-230 \*6
- Voltage 50/60Hz 1phase [V] ..... -
- Average power consumption [kW] ..... 2.5

## Integrated services

- Integrated signals on upper arm In/Out
- Integrated air supply

## Environment

- Acoustic noise level [dB]
- Ambient temperature [° C] ..... 0-45

## Protection

- Body standard/optional ..... IP67 / IP69K
- Wrist & J3 arm standard/optional ..... IP67 / IP69K

## Auxiliary

- Maximum linear speed [mm/sec] ..... 5500 mm/sec

\*3) ∅ in mm by height in mm    \*4) refer to the wrist load diagram    \*6) transformer required in case of open air cabinet  
\*\* Based on ISO9283

● standard    ○ on request    - not available    ( ) with hardware and/or software option